

Vandal Resistant IR Dome Cameras

SKD-28F632

SKD-28F636



► Features

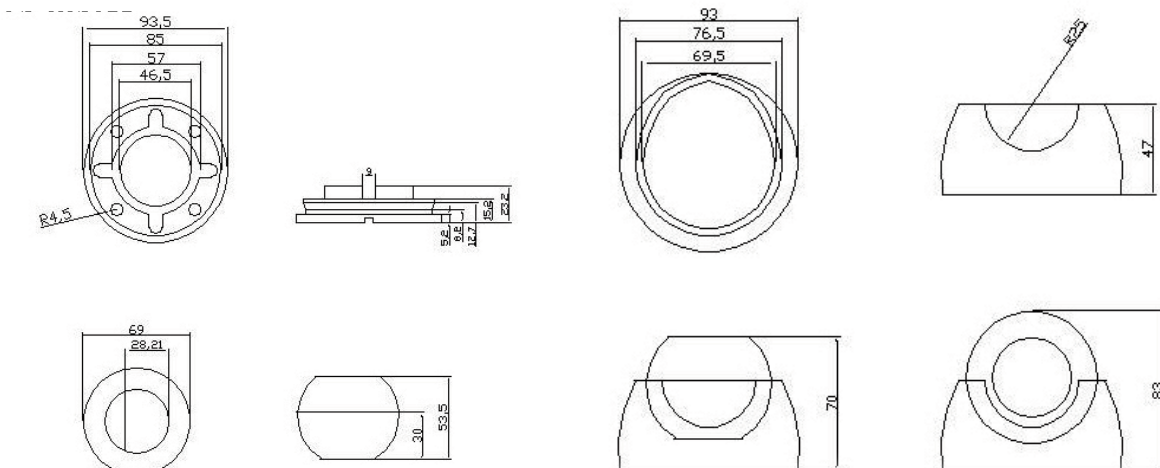
- SKD-28F632:
 - 1/3" SONY SUPER HAD CCD
 - 420 TV Lines / 0.5Lux @F1.2
 - SKD-28F636:
 - 1/3" SONY SUPER HAD CCD
 - SONY 10-bit HQ1 DSP
 - 530 TV Lines / 0.8Lux @F1.2
 - DSP technology
 - BLC, AES, AGC, AWB
 - 36 High Intensity LED
 - Built-in 4-9.0mm Manual Iris
- Lens, excellent Value
• DC12V

SKD-28F632 / SKD-28F636

► Specification

Model	SKD-28F632	SKD-28F636
CCD	1/3" SONY SUPER HAD CCD	1/3" SONY SUPER HAD CCD
DSP	SONY DSP	SONY 10-bit HQ1 DSP
Effective pixels	PAL:500(H)x582(V) NTSC:510(H)x492(V)	PAL:752(H)x582(V) NTSC:768(H)x494(V)
Signal System	PAL/NTSC	
Horizontal Resolution	420 TV Lines	530 TV Lines
Lens	4-9.0mm Manual Iris Lens	
Sync. System	Internal	
Minimum Illumination	0.5Lux @F1.2	0.8Lux @F1.2
S/N Ratio	More than 48dB(AGC OFF)	
Electronic Shutter	1/50(1/60)~1/12000sec.	
White Balance	Auto	
Backlight Compensation	Auto	
Auto Gain Control	Auto	
Video Output	Composite Video Output(1Vp-p 75ΩTerminated)	
Power Sourcing	DC12V	
Operating Temperature	-10°C ~ 50°C (14°F ~ 122°F) RH95%(MAX)	

► Dimension



* Specification subject to change without notice.