

# Vandal Resistant Color IR Dome



## ► Features

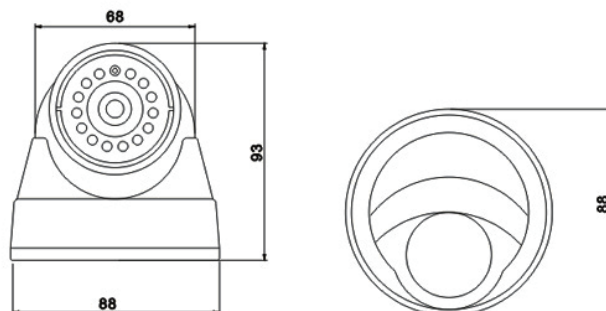
- 1/3" SONY Super HAD CCD
- 420/530 TV Lines
- 0.5 Lux/F2.0(OFF) 0LUX(IR ON)
- BLC / AGC
- 25M IR LED Illuminating Distance
- Varifocal Manual Iris Lens
- IP65 Water Resistance
- DC 12V

## SKD-28R232 SKD-28R236

## ► Specification

Model	SKD-28R232	SKD-28R236
CCD	1/3" Sony Super HAD CCD	1/3" Sony Super HAD CCD
Effective pixels	NTSC: 512(H) x 492(V) ; PAL: 512 (H) x 582(V)	NTSC:768(H)x494(V) PAL:752(H)x582(V)
Signal System	NTSC/PAL	
Horizontal Resolution	420 TV Lines	530 TV Lines
Lens	3.5~8 mm Manual Iris Lens	
Sync. System	Internal/External	
Minimum Illumination	0Lux(IR On)	
S/N Ratio	More than 52dB	
Electronic Shutter	1/50(1/60)~1/100,000sec.	
AGC	Auto	
BLC	Auto	
IR Distance	25 Meter	
Average Life	20000hrs,warranty life:6000hrs	
Water Resistance	IP65	
Video Output	Composite Video Output(1.0Vp-p 75ΩTerminated)	
Control Mode	---	
Power Sourcing	DC 12V ±10%,500mA	
Operating Temperature	-20°C ~ 50°C	
Weight	1100g	

## ► Dimension



Unit: mm