



## ► Features

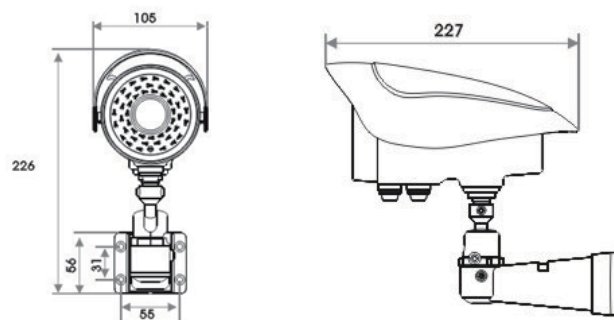
- 1/3" Sony Super HAD CCD
- 420/540 TV Lines
- 48 unit 850nm Infrared LED
- 0Lux (IR On)
- BLC / AGC
- 30M IR LED Illuminating Distance
- IP65 Water Resistance
- DC 12V

## SKC-33R832 SKC-33R836

## ► Specification

Model	SKC-33R832	SKC-33R8326
CCD	1/3" Sony Super HAD CCD	1/3" Sony Super HAD CCD
Effective pixels	NTSC: 512(H) x 492(V) ; PAL: 512 (H) x 582(V)	NTSC:768(H)x494(V) PAL:752(H)x582(V)
Signal System	PAL/NTSC	
Horizontal Resolution	420 TV Lines	540 TV Lines
Lens	3.5~8.0mm Lens	3.0~9.0mm Lens
Sync. System	Internal	
Minimum Illumination	0Lux(IR On)	
S/N Ratio	More than 52dB	
Electronic Shutter	1/50(1/60)~1/100,000sec.	
AGC	Auto	
BLC	Auto	
IR Distance	30 Meter	
View Angle	60°	
LED wave length	48 unit 850nm Infrared LED	
Average Life	20000hrs,warranty life:6000hrs	
Water Resistance	IP65	
Video Output	Composite Video Output(1.0Vp-p 75ΩTerminated)	
Control Mode	Manual Focus	
Power Sourcing	DC 12V ±10%,700mA	
Operating Temperature	-20°C ~ 50°C	
Weight	1900g	

## ► Dimension



Unit: mm