

Indoor PTZ Speed Dome

JSP-D81G18

JSP-D81G26



► Features

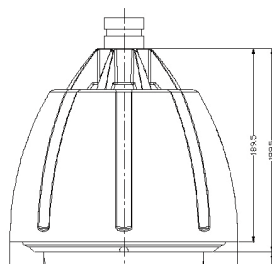
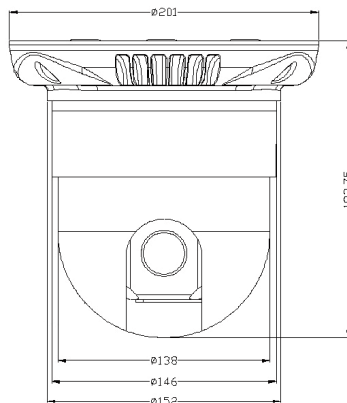
- Adopting multi-functional high-performance DSP design with stable performance
- Powerful OSD menu function
- built-in highly accurate clock, the user can set the time at which any of the multi functions will be carried out
- Internally-saved data will not lose within one year after power off
- Integrated design with compact structure and high reliability
- 128 preset positions for random storage and accurate locating
- Precise electric motor drive ensuring smooth running and agile reaction
- Pan 360°consecutive movement, all-direction monitoring
- With the auto-flip function, tilt 180° consecutive monitoring realized
- Automatically adjusting movement speed according to lens zoom ratio
- Auto Iris, Focus and White Balance
- Ceiling-mount Design

JSP-D81G18 / JSP-D81G26

► Specification

Model	JSP-D81G18	JSP-D81G26
Camera	Sony EX-480 Day/Night Color 18x Zoom Camera	Sony EX-980P Day/Night Color 26x Zoom Camera
Sync system	Internal/External (V-Lock)	
Effective picture elements	NTSC: 380,000 pixels ; PAL: 440,000 pixels	
Resolution	480TVL	
Min. Illumination	0.7Lux for Color / 0.001Lux for B&W	
Iris	auto/manual	
Focus	auto/manual	
Lens zoom ratio	18x optical zoom, f=4.1 mm (Wide) to 73.8 mm (Tele), F1.4 to F3.0	26x optical zoom, f=3.5 mm (Wide) to 91.0 mm (Tele), F1.6 to F3.8
Digital zoom	12x (216x with optical zoom)	12x (312x with optical zoom)
Viewing angle (H)	48.0° (Wide end) to 2.8° (Tele end)	54.2° (Wide end) to 2.2° (Tele end)
BLC	auto	
White Balance	auto	
AGC	auto	
S/N	>50dB	
Signal output	1.0±0.2Vpp	

► Dimension



Technical Data:

Power supply	AC24V
Ambient temperature	0°C~40°C
Relative humidity	≤95% non-condensing
Power consumption	20W
Communication system	RS485 bus
Baud rate of communication	1200/2400/4800/9600bps
Pan speed	0.5°-350°/s (Max. 350°/s, 64 ranges)
Pan movement	360° endless
Tilt movement	90°
Automatic flip	Automatic 180° flip when vertical 90°
Speed Auto-control as per the changing of focal length	The dome can automatically adjust the running speed following the change of the focal length.
Scan between 2 points	yes
Preset position number	128
Dwell time	1~255s
Tour number	4
Pattern Scan number	4
Privacy Shielding Zone number	8
Preset position number of each tour	16 preset positions
Alarm	4 Alarm in / 1 Alarm out
Fan/Heater	Auto start (for speed dome cameras with temperature controlling devices)
Weight	4.5Kg (Bracket included)