

Outdoor PTZ Speed Dome

JSP-D72N30W

JSP-D72N36



Features

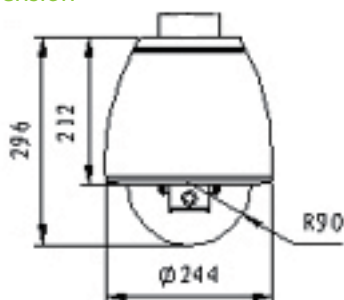
- 360° continuous pan, 90° in tilt, 180° in auto flip
- Max 128 presets, programmable
- Low speed by manual is wide range, catch on the target accurately
- Auto pan scan
- Three-dimensional scan between two presets
- Call camera menu
- Manual zoom
- Manual/Auto focus
- Manual/Auto Iris
- Manual/Auto black and white switching (Camera self function)
- Focus & Iris speed is adjustable
- Auto/Manual white balance
- Manual/Auto backlight compensation
- Tour through presets in groups
- Tour speed is adjustable
- Dwell time is changeable
- Standard RS485 communication
- AC24V available with additional cost

JSP-D72N30W / JSP-D72N36

Specification

Model	JSP-D72N30W	JSP-D72N36
CCD	1/4" Exview HAD CCD	
Camera	Samsung SDM-330 Day/Night WDR Color 30x Zoom Camera	Sony EX-1000P Day/Night Color 36x Zoom Camera
Picture Element	NTSC: 768(H) x 494(V) ; PAL: 752(H) x 582(V)	
Low Sensitivity	Color: 0.4Lux B/W: 0.0006Lux	0.01Lux
Focal Length	3.3~99mm	3.4~122.4mm
Resolution	520TVL	
Electronic Shutter	1/50~1/10,000 sec.	
Zoom Ratio	30x	36x
Digital Zoom	8x	12x
WDR	O	---
Pan speed	0.1°- 240°/S	
Tilt speed	0.1°- 120°/S	
Manual tilt scale	0°- 90°	
Scan scale	360° continuously	
Presets number	Max 128	
Scan precision	0.12°±0.03°	
Signal format	PAL/NTSC	
Preset precision	±0.2°	
S/N ratio	>50dB	
Communication format	RS-485	
White Balance	Auto/Manual	
Power on	Three options after Self-check (By Menu) Wait for commands / Scan between two presets / Call presets automatically	
Built-in protocol	Pelco P or D protocol is identified automatically	
Applicable temperature	-35°C ~ 50°C (-31°F ~ 122°F)	
Baud rate	1200 / 2400 / 4800 / 9600	
Consumed power	≤20W	
Voltage	DC12V	

Dimension



Optional Parts



Pole-mount
Bracket
PMB-J903



Wall-mount
Bracket
WMB-J912