

# Mini PTZ Speed Domes

JSP-71N10



## Features

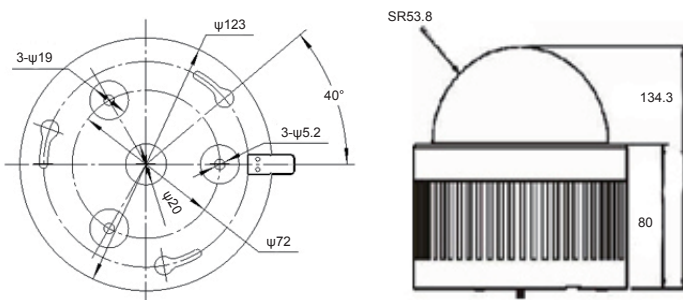
- 360° continuously pan, 90° in tilt, 180° in auto flip
- Max 128 presets, programmable
- Board camera is available, the range of visual angle caught is wide
- Auto pan scan and three-dimensional scan between two presets
- OSD Function
- Manual Zoom (Need to add zoom lens)
- The camera data setup
- Tour through presets in groups
- Tour speed and Dwell time are adjustable
- Standard RS485 communication
- Inner mount preventing from surge or lightning strike
- Auto Protection Function is ON when Power cutting
- With Activity, Auto Park, Fast Address, Restore, Power Up and Turn Angle Display Function

## JSP-71N10

### Specification

Model	JSP-71N10
CCD	1/4" Super HAD CCD
Camera	Samsung 1/4" High Res. Day/Night 10x Color Camera
Picture Element	NTSC: 768(H) x 494(V) ; PAL: 752(H) x 582(V)
Sensitivity	Color: 0.7Lux@F1.8 B/W: 0.05Lux@F1.8
Lens	3.8-38 mm Lens
Resolution	Color: 500TVL B/W: 570TVL
Mechanism power	MINTRON Camera ≤7W Board Camera ≤5W
Pan/Tilt turn speed	0.1° - 120°/S
Manual tilt scale	0.1° - 90°/S
Scan scale	360° continuously
Presets number	Max 128
Preset found time	≤1.5S
Preset max speed	Pan 600°/s Tilt 480°/s
Zoom/Focus speed	Manual
Scan precision	0.1° ± 0.03°
Signal format	PAL/NTSC
Preset precision	±0.03°
S/N ratio	>48dB
Communication format	RS-485
Applicable temperature	-10°C ~ 50°C (14°F ~ 122°F)
Baud rate	1200 / 2400 / 4800 / 9600
Humidity	≤95%
Voltage	DC12V ± 15%

### Dimension



### Optional Parts



Wall-mount Bracket  
WMB-JSP30N